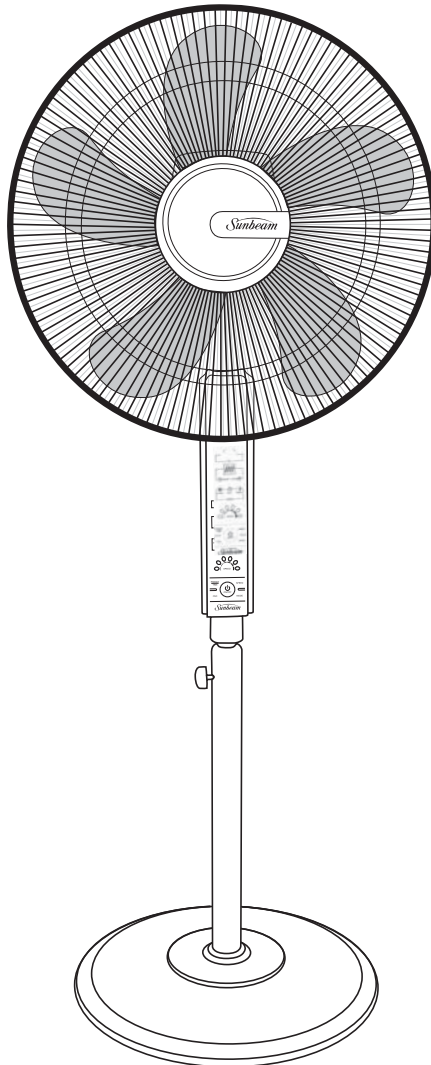


Sunbeam

Sunbeam Pedestal Fan with Remote Control

Instruction Booklet
FA8900 40cm Pedestal Fan

Please read these instructions carefully
and retain for future reference.



Contents

Sunbeams Safety Precautions	1
Safety Precautions For Your Pedestal Fan	2
Locating Your Pedestal Fan	3
Features of Your Pedestal Fan	4
Parts Identification	5
Assembling Your Pedestal Fan	6
Remote Control	8
Using Your Pedestal Fan	9
Care And Cleaning	12

Important instructions – retain for future use.

تأكد من تفهم احتياطات السلامة المذكورة اعلاه

請務必理解上述的安全預防措施。

Assurez-vous que les précautions ci-dessus relatives à la sécurité sont bien comprises

Versichern Sie sich, dass die obenstehenden Sicherheitsmaßnahmen verstanden werden

Βεβαιώνετε πως οι παραπάνω προφυλάξεις ασφαλείας γίνονται κατανοητές

Pastikan bahwa tindakan-tindakan keselamatan seperti di atas dimengerti anda

Accertatevi che le suddette norme di sicurezza siano comprese a dovere

上記の注意事項をよくお読みになり、安全を御確認ください

Уверете се дека погоре споменатите мерки на претпазливост се добро разбрани

Asegúrese de que las precauciones de seguridad precedentes sean bien comprendidas

کاری یکنید که احتیاطهای بالا حتماً درک بشوند

ต้องแน่ใจว่า ข้อควรระวังเรื่องความปลอดภัยข้างต้น เป็นที่เข้าใจกันดี

Yukarda belirtilen güvenlik önlemlerinin anlaşılığundan emin olunuz

Xin kiểm chắc rằng những biện pháp làm an toàn kể trên được hiểu rõ

Sunbeam's Safety Precautions

Sunbeam is very safety conscious when designing and manufacturing consumer products, but it is essential that the product user also exercise care when using an electrical appliance. Listed below are important precautions for the safe use of an electrical appliance.

- Read carefully and save all the instructions provided with an appliance.
- Always turn the power off at the power outlet before you insert or remove a plug. Remove by grasping the plug - do not pull on the cord.
- Turn the power off and remove the plug when the appliance is not in use and before cleaning.
- Do not use your appliance with an extension cord unless this cord has been checked and tested by a qualified technician or service person.
- Always use your appliance from a power outlet of the voltage (A.C. only) marked on the appliance.
- This appliance is not intended for use by persons (including children) with reduced physical, sensory or mental capabilities, or lack of experience and knowledge, unless they have been given supervision or instruction concerning use of the appliance by a person responsible for their safety.
- Children should be supervised to ensure that they do not play with the appliance.
- The temperature of accessible surfaces may be high when the appliance is operating.
- Never leave an appliance unattended while in use.
- Do not use an appliance for any purpose other than its intended use.
- Do not place an appliance on or near a hot gas flame, electric element or on a heated oven.
- Do not place on top of any other appliance.
- Do not let the power cord of an appliance hang over the edge of a table or bench top or touch any hot surface.
- Do not operate any electrical appliance with a damaged cord or after the appliance has been damaged in any manner. If damage is suspected, return the appliance to the nearest Sunbeam Appointed Service Centre for examination, repair or adjustment.
- For additional protection, Sunbeam recommend the use of a residual current device (RCD) with a tripping current not exceeding 30mA in the electrical circuit supplying power to your appliances.
- Do not immerse the appliance in water or any other liquid unless recommended.
- Appliances are not intended to be operated by means of an external timer or separate remote control system.
- This appliance is intended to be used in household and similar applications such as: staff kitchen areas in shops, offices and other working environments; farm houses; by clients in hotels, motels and other residential type environments; bed and breakfast type environments.

If you have any concerns regarding the performance and use of your appliance, please visit www.sunbeam.com.au or contact the Sunbeam Consumer Service Line. Ensure the above safety precautions are understood.

Safety Precautions For Your Pedestal Fan

- Do not use outdoors.
- Do not run the cord of the fan under carpeting. Do not cover the cord with throw rugs, runners or other floor coverings. Arrange the cord away from traffic areas so that it will not be tripped over.
- Do not use this fan in the immediate surrounds of a bath, shower, laundry area or swimming pool.
- Be sure the fan is placed on a dry, even surface. Do not use on soft surfaces, such as beds, where opening may become blocked.
- When operating with the oscillation function, do not place the fan in a position that may restrict or impede its movement.
- Keep your fan away from heat sources, corrosive gases and avoid direct sunlight.
- This fan is only to be used with the base fitted and in good condition.
- Disconnect the power plug before dismantling, assembling or before cleaning.
- Always unplug the fan when not in use.
- The fan must not be used if the guards are damaged in any way.
- Do not insert or allow foreign objects to enter any ventilation or exhaust openings as this may cause electric shock or fire, or damage to the fan.
- Never insert fingers or any other objects through the guards whenever the power plug is connected, especially while running.
- Avoid touching mobile parts of the fan.
- Do not attempt to move your fan whilst it is operating. If your fan needs to be moved, please ensure that it is turned off and you use the carry handle on top of the pedestal.
- When disposing of the fan at the end of its useful life, follow local regulations.
- Do not coil the power cord too tightly around the air cooler, as this may damage the cord.

Locating Your Pedestal Fan

1. Always locate your fan on a level surface.
2. Your pedestal fan should be located in a dry, cool, well ventilated location. Keep your fan away from heat sources, corrosive gases and avoid direct sunlight.
3. Do not attempt to move your pedestal fan whilst it is operating. If your fan needs to be moved, please ensure that it is turned off and you use the carry handle on top of the fan.

Features Of Your Sunbeam Pedestal Fan

Metal Grille

Easily assembled, 50cm secure grille.

Plastic Fan Blades

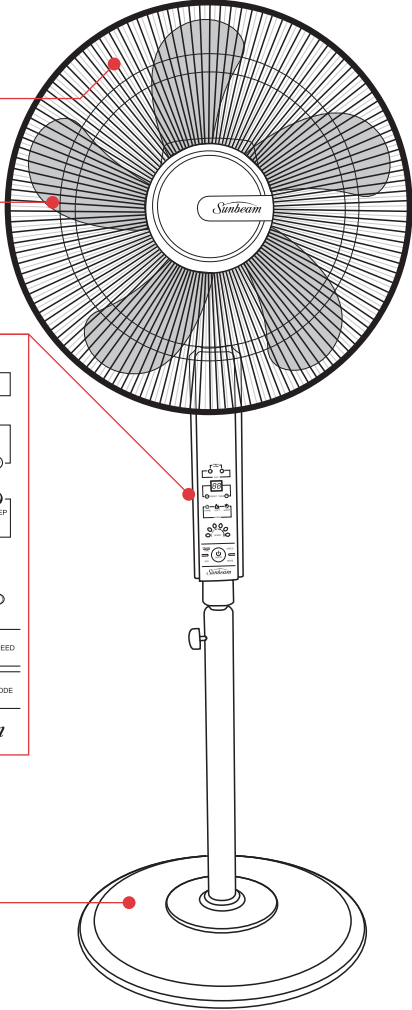
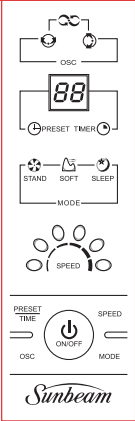
5 blades to effectively move the air about your room.

Control Panel

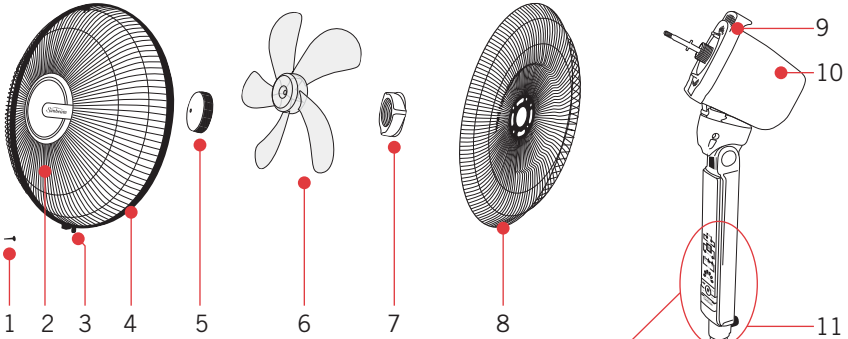
Simply press the on/off button to turn the unit on. Use the other buttons to select wind mode, timer, speed and oscillation functions.

Solid Base

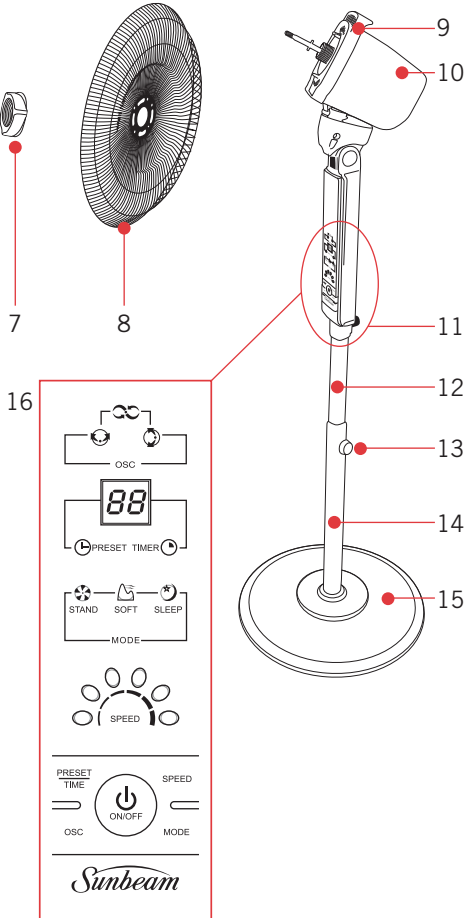
Makes your pedestal fan secure.



Parts Identification



1. Locking Screw
2. Front Guard
3. Guard Clip
4. Guard Ring
5. Blade Knob
6. Fan Blade
7. Guard Interlocking Nut
8. Rear Guard
9. Front Motor Cover
10. Rear Motor Cover
11. Screw
12. Extension Tube
13. Height Adjustment Knob
14. Stand
15. Base
16. Control Panel



Assembling Your Pedestal Fan

1. Unpack all the components from the box.
2. Unfasten the interlocking nut and blade knob from the front of the motor (See Figure 2) and place to one side.

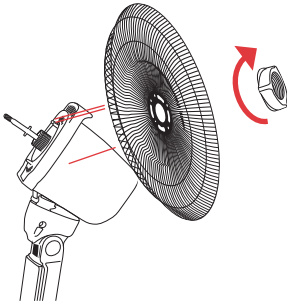


Figure 1

3. Attach the rear fan blade grill and ensure it is in the correct orientation with the “UP” and the two holes aligned at the top (See Figure 1). Firmly screw on the interlocking nut.
4. Mount the fan blade onto the motor shaft; and fasten the blade knob firmly by turning in an anti-clockwise direction. See Figure 2.

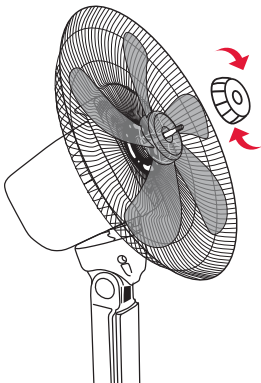


Figure 2

5. Open the front guard clip and attach the fan blade grill with the “UP” word (which appears on the inside of the grill), the Sunbeam logo should be straight. Push the round edges of the grill firmly together with the back grill and lock the clip. Using a Phillips head screwdriver, tighten the screw provided. See Figure 3.

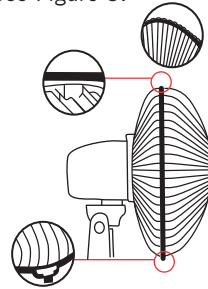


Figure 3

Assembling Your Pedestal Fan (continued)

Connecting The Base

1. Locate the moulded securing knob.
2. Insert the lower extension shaft firmly into the base and attach the moulded securing knob to the underside of the base and tighten. (Refer Figure 1).

Figure 1

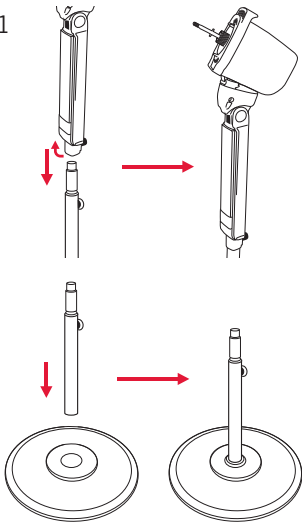


Figure 2

Attaching the body and base

1. Remove the screw from the upper fan shaft. Place to one side.
2. Insert the upper fan shaft onto the lower extension shaft and insert the screw and firmly tighten. Ensure the stand body is completely interlocked with the base. (Refer Figure 2).

Remote Control

Remote control

Operates within 8 metres of the Pedestal Fan.

Fan speed button

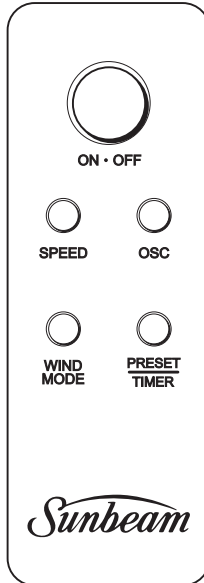
Choose from 3 speed settings, low medium or high.

Wind Mode

You have a choice of 2 Nature or Sleep airflow types.

When used in nature mode, the fan speed is randomly adjusted, giving the feeling of a natural breeze.

When set to Sleep Mode the fan speed decreases after 30 minutes from high to medium, then medium to low. When used with the timer, will ultimately switch the unit off.



Oscillation

Your pedestal fan oscillates 70°, distributing cool air throughout the room.

Preset/Timer

The preset timer allows you to set your pedestal fan to turn on/off after 1,2,4 or 8 hours.

Using the remote control

1. Point the remote towards the control panel on the front of the pedestal to operate.

Inserting or changing the batteries

1. Slide the rear cover off the remote control unit.
2. Insert the 2 AAA batteries provided with your pedestal fan.
3. Replace the rear cover.

Using Your Pedestal Fan

1. Place the pedestal fan on a flat level surface
2. Adjust the height by turning the height adjustment knob, located on the lower extension shaft.

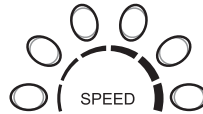
Note: Ensure the knob is tightened firmly at all times. Insert the plug into a 230/240 V power outlet and turn the power on.

3. Press the on/off button on the fan or the remote control. The fan will start at 'medium' speed for 3 seconds then automatically change to 'low' speed.

Selecting a fan speed

1. To select a fan speed simply press the 'speed' button, on either the fan or remote control, repeatedly to select the desired speed from the 6 settings available.

The LED lights indicate the graduated speed on the dial below.






- If you will not be using the fan for a length of time, it is advisable to turn the power off at the wall socket and unplug the power cord.

Using Your Pedestal Fan (continued)

Oscillation

Press the oscillation button to choose from three options of wind direction:

-  horizontal direction
-  vertical direction
-  wave or figure 8 direction

To turn oscillation off, press the oscillation button again.

Timer

Pre-set to turn on

To pre-set the timer to turn the fan on, place the fan in “standby” mode (on at the power outlet but off on the fan) press the preset/timer button and select the required time (in half hour increments up to 2 hours, then hourly up to 10 hours). When the preset time is reached, the fan will switch ON automatically.

Note: The time must be set when the preset indicator blinks 3 times. The selected time is set once the blinking has ceased.

Pre-set to turn off

To pre-set the time to turn the fan off, press the preset/timer button to switch to timer mode. Press the timer button once to set the desired time for the fan to cease operating. When this set time is reached, the fan will switch OFF automatically. The timing intervals are the same as to turn the fan on. Press timer button again to switch back to preset mode.

Note: You may also pre-set your fan to turn off whilst in stand by mode.

Using Your Pedestal Fan (continued)

WIND MODES

Press the mode button to select the desired airflow type in sequence:

Stand mode STAND

The Fan will operate at the selected speed.

Soft mode SOFT

The fan will gradually change the speed for a more natural airflow. This speed provides an extra level of comfort by simulating the natural rise and fall of the wind over time and can be used on any speed setting.

Sleep mode SLEEP

Is identical to Soft mode with the advantage that the set fan speed gradually decreases every 30 minutes.

Care and Cleaning

- Ensure that your pedestal fan is switched off and disconnected from the power outlet before cleaning.
- Carefully wipe your fan using a clean soft cloth. Do not use abrasive cleaners or brushes to clean the fan as these will scratch and damage the surface
- Take care that excessive dust does not build up in or around the motor body. Use a dry soft brush or vacuum cleaner to remove it.
- Do not allow the motor or other electrical components to be exposed to water.
- Always store your fan in a cool dry place when not in use, preferably in the original box.

2 Year Replacement Guarantee

In the unlikely event that this appliance develops any malfunction within 2 years of purchase (3 months commercial use) due to faulty materials or manufacture, we will replace it for you free of charge.

Should you experience any difficulties with your appliance, please phone our customer service line for advice on 1300 881 861 in Australia, or 0800 786 232 in New Zealand. Alternatively, you can send a written claim to Sunbeam at the address listed below. On receipt of your claim, Sunbeam will seek to resolve your difficulties or, if the appliance is defective, advise you on how to obtain a replacement or refund.

Your Sunbeam 2 Year Replacement Guarantee naturally does not cover misuse or negligent handling and normal wear and tear.

Similarly your 2 Year Replacement Guarantee does not cover freight or any other costs incurred in making a claim. Please retain your receipt as proof of purchase.

The benefits given to you by this guarantee are in addition to your other rights and remedies under any laws which relate to the appliance.

Our goods come with guarantees that cannot be excluded under the Australian Consumer Law and under the New Zealand Consumer Guarantees Act.

In Australia you are entitled to a replacement or refund for a major failure and for compensation for any other reasonably foreseeable loss or damage. You are also entitled to have the goods repaired or replaced if the goods fail to be of acceptable quality and the failure does not amount to a major failure.

Should your appliance require repair or service after the guarantee period, contact your nearest Sunbeam service centre.

For a complete list of Sunbeam's authorised service centres visit our website or call:

Australia

www.sunbeam.com.au

1300 881 861

Units 5 & 6, 13 Lord Street
Botany NSW 2019 Australia

New Zealand

www.sunbeam.co.nz

0800 786 232

26 Vestey Drive, Mt Wellington
Auckland, New Zealand

Need help with your appliance?

Contact our customer service team or visit our website for information and tips on getting the most from your appliance.

In Australia


Visit www.sunbeam.com.au

Or call 1300 881 861

In New Zealand

Visit www.sunbeam.co.nz

Or call 0800 786 232

 is a registered trademark.

Made in China.

Due to minor changes in design or otherwise, the product may differ from the one shown in this leaflet.

© Copyright. Sunbeam Corporation Limited 2012.

ABN 45 000 006 771

Units 5 & 6, 13 Lord Street
Botany NSW 2019 Australia

Unit 3, Building D
26 Vestey Drive
Mt Wellington Auckland
New Zealand

Sunbeam Corporation is a division of GUD Holdings Ltd.