

FREESTANDING MICROWAVE

WMF4102SA, WMF4102WA

CONGRATULATIONS

Dear Customer,

Congratulations and thank you for choosing our microwave. We are sure you will find it a pleasure to use. Before you use the microwave, we recommend that you read through the relevant sections of this manual, which provides a description of your appliance and its functions.

To avoid the risks that are always present when you use an appliance, it is important that the appliance is installed correctly and that you read the safety instructions carefully to avoid misuse and hazards.

We recommend that you keep this instruction booklet for future reference and pass it on to any future owners.

After unpacking the appliance, please check it is not damaged. If in doubt, do not use the appliance but contact your local customer care centre.

Conditions of use

This appliance is intended to be used in household and similar applications such as:

- Staff kitchen areas in shops, offices and working environments
- Farm houses
- By clients in hotels, motels and other residential type environments
- Bed and breakfast type environments
- Catering and similar non-retail applications

Please ensure you read the instruction manual fully before you call for service, or a full service fee could be applicable.

Record model and serial number here:

Model number:.....

Serial number:.....

PNC:.....

CONTENTS

General warnings.....	3
Important safety instructions.....	4
Before first use.....	5
Radio interference.....	5
Grounding instructions.....	5
Microwave cooking principles.....	6
Before you call for service.....	6
Utensils guide.....	6
Product description.....	7
Control panel.....	8
Setting The Time.....	8
Daily Use.....	9
Using the accessories.....	14
Additional functions.....	14
Helpful hints and tips.....	15
Care and cleaning.....	15
Troubleshooting.....	16
Installation.....	17
Warranty.....	19

Please read the user manual carefully and store in a handy place for later reference.

The symbols you will see in this booklet have these meanings:



WARNING

This symbol indicates information concerning your personal safety.



CAUTION

This symbol indicates information on how to avoid damaging the appliance.



IMPORTANT

This symbol indicates tips and information about use of the appliance.



ENVIRONMENT

This symbol indicates tips and information about economical and ecological use of the appliance.

GENERAL WARNINGS

Please read the user manual carefully and store in a handy place for later reference. Pass the user manual on to possible new owners of the appliance.

Read the following carefully to avoid damage or injury.

NOTE: You must read these warnings carefully before installing or using the appliance. If you need assistance, contact your Customer Care Department. The manufacturer will not accept liability, should these instructions or any other safety instructions incorporated in this book be ignored.

Children and vulnerable people safety.



WARNING

Risk of suffocation, injury or permanent disability.

- This appliance can be used by children aged from 8 years and above and persons with reduced physical, sensory or mental capabilities or lack of experience and knowledge if they are supervised by an adult or a person who is responsible for their safety.
- Do not let children play with the appliance. Children under 3 years must not be left unsupervised in the vicinity of the appliance.
- Keep all packaging away from children.
- Keep children and pets away from the appliance when it operates or when it cools down. Accessible parts are hot.
- If the appliance has a child safety device, we recommend that you activate it.
- Cleaning and user maintenance shall not be made by children without supervision.
- Keep the appliance and its cord out of reach of children less than 8 years.



CAUTION

It is important to use your appliance safely. Check these safety points before using your appliance.

General safety

- Internally the appliance becomes hot when in operation. Always use microwave gloves to remove or put in accessories or ovenware.
- Do not use a steam cleaner to clean the appliance.
- Before maintenance isolate the power supply.
- If the door or door seals are damaged, the appliance must not be operated until it has been repaired by a competent person.
- The appliance is not intended to be operated by means of an external timer or separate remote-control system.

- Only a competent person can carry out any service or repair operation that involves the removal of a cover which gives protection against exposure to microwave energy.
- Do not heat liquids and other foods in sealed containers. They are liable to explode.
- Only use utensils that are suitable for use in microwaves.
- When heating food in plastic or paper containers, keep an eye on the appliance due to the possibility of ignition.
- The appliance is intended for heating food and beverages. Drying of food or clothing and heating of warming pads, slippers, sponges, damp cloth and similar may lead to risk of injury, ignition or fire.
- If smoke is emitted, switch off or unplug the appliance and keep the door closed in order to stifle any flames.
- Microwave heating of beverages can result in delayed eruptive boiling. Care must be taken when handling the container.
- The contents of feeding bottles and baby food jars should be stirred or shaken and the temperature checked before consumption, in order to avoid burns.
- Eggs in their shell and whole hard-boiled eggs should not be heated in the appliance since they may explode, even after microwave heating has ended.
- The appliance should be cleaned regularly and any food deposits removed.
- Failure to maintain the appliance in a clean condition could lead to deterioration of the surface that could adversely affect the life of the appliance and possibly result in a hazardous situation.
- The temperature of accessible surfaces may be high when the appliance is operating.
- Pay attention to the minimum dimensions of the cabinet. Refer to the installation chapter.
- The appliance must be operated with any decorative kitchen cabinet door open (if applicable).
- Do not use harsh abrasive cleaners or sharp metal scrapers to clean the glass door since they can scratch the surface, which may result in shattering of the glass.
- If the supply cord is damaged, it must be replaced by the manufacturer, an authorised Service or similarly qualified persons in order to avoid a hazard.

IMPORTANT SAFETY INSTRUCTIONS

Installation



WARNING

Only a qualified person must install this appliance.

- Remove all the packaging.
- Do not install or use a damaged appliance.
- Obey the installation instructions supplied with the appliance.
- Always be careful when you move the appliance because it is heavy. Always wear safety gloves.
- Keep the minimum distance from the other appliances and units.
- Make sure that the appliance is installed below and adjacent safe structures.
- The sides of the appliance must stay adjacent to appliances or to units with the same height.

Electrical connection



WARNING

Risk of fire and electrical shock.

- All electrical connections should be made by a qualified electrician.
- The appliance must be earthed.
- Make sure that the electrical information on the rating plate agrees with the power supply. If not, contact an electrician.
- Connect the mains plug to the mains socket only at the end of the installation. Make sure that there is access to the mains plug after the installation.
- Make sure not to cause damage to the mains plug and to the mains cable. Contact the Service Centre or an electrician to change a damaged mains cable.
- Do not pull the mains cable to disconnect the appliance. Always pull the mains plug.

Use



WARNING

Risk of injury, burns or electric shock or explosion.

- Use this appliance in a household environment.
- Do not change the specification of this appliance.
- Make sure that the ventilation openings are not blocked.
- Do not let the appliance stay unattended during operation.
- Do not apply pressure on the open door.
- Do not use the appliance as a work surface and do not use the cavity for storage purposes.

Care and cleaning



WARNING

Risk of injury, fire or damage to the appliance.

- Before maintenance, deactivate the appliance and disconnect the mains plug from the mains socket.
- Regularly clean the appliance to prevent the deterioration of the surface material.
- Do not allow food spills or cleaner residue to accumulate on door sealing surfaces.
- Remaining fat or food in the appliance can cause smoke/fire, particularly on the grill element.
- Remaining fat or food in the appliance can cause smoke/fire, particularly on the grill element.
- Clean the appliance with a moist soft cloth. Only use neutral detergents. Do not use abrasive products, abrasive cleaning pads, solvents or metal objects.
- If you use an oven spray, obey the safety instructions on the packaging.

Disposal



WARNING

Risk of injury or suffocation.

- Disconnect the appliance from the mains supply.
- Cut off the mains cable and discard it.

**WARNING**

If the door or door seals are damaged, the microwave must not be operated until it has been repaired by a competent person.

- The instructions shall state that appliances are not intended to be operated by means of an external timer or separate remote-control system.
- The microwave is for household use only and not for commercial use.
- Never remove the distance holder in the back or on the sides, as it ensures a minimum distance from the wall for air circulation.
- Please secure the turn table before you move the appliance to avoid damages.

**CAUTION**

It is dangerous to repair or maintain the appliance by no other than a specialist because under these circumstances the cover have to be removed which assures protection against microwave radiation. This applies to changing the power cord or the lighting as well. Send the appliance in these cases to our service centre.

- The microwave is intended for defrosting, cooking and steaming of food only.
- Use gloves if you remove any heated food.

**CAUTION**

Steam will escape, when opening lids or wrapping foil.

- This appliance can be used by children aged from 8 years and above and persons with reduced physical, sensory or mental capabilities or lack of experience and knowledge if they have been given supervision or instruction concerning use of the appliance in a safe way and understand the hazards involved. Children shall not play with the appliance. Cleaning and user maintenance shall not be made by children unless they are aged from 8 years and above and supervised.
- If smoke is emitted, switch off or unplug the appliance and keep the door closed in order to stifle.

Specifications

Model:	WMF4102WA / WMF4102SA
Rated Voltage:	230-240V- 50Hz
Rated Input Power (Microwave):	1450-1550W
Rated Output Power (Microwave):	1050-1100W
Oven Capacity:	40L
Turntable Diameter:	13.6 inch/345 mm
External Dimensions:	552x453x326 mm
Net Weight:	Approx.. 16.3 kg

BEFORE FIRST USE

Make sure that all the packing materials are removed from the inside of the door.

**WARNING**

Check the microwave for any damage, such as misaligned or bent door, damaged door seals and sealing surface, broken or loose door hinges and latches and dents inside the cavity or on the door. If there is any damage, do not operate the microwave and contact qualified service personnel.

- This microwave must be placed on a flat, stable surface to hold its weight and the heaviest food likely to be cooked in the microwave.
- Do not place the microwave where heat, moisture, or high humidity are generated, or near combustible materials.
- Do not operate the microwave without glass tray, roller support, and shaft in their proper positions.
- Make sure that the power supply cord is undamaged and does not run under the microwave or over any hot or sharp surface.
- The socket must be readily accessible so that it can be easily unplugged in an emergency.
- Do not use the microwave outdoors.

Radio Interference

Operation of the microwave can cause interference to your radio, TV or similar equipment.

When there is interference, it may be reduced or eliminated by taking the following measures:

- Clean door and sealing surface of the microwave.
- Reorient the receiving antenna of radio or television.
- Relocate the microwave with respect to the receiver.
- Move the microwave away from the receiver.
- Plug the microwave into a different outlet so that microwave and receiver are on different branch circuits.

Grounding Instructions

This appliance must be grounded. This microwave is equipped with a cord having a grounding wire with a grounding plug. It must be plugged into a wall receptacle that is properly installed and grounded. In the event of an electrical short circuit, grounding reduces risk of electric shock by providing an escape wire for the electric current. It is recommended that a separate circuit serving only the microwave be provided. Using a high voltage is dangerous and may result in a fire or other accident causing microwave damage.

BEFORE FIRST USE (CONTINUED)



WARNING

Improper use of the grounding plug can result in a risk of electric shock.

NOTE:

- If you have any questions about the grounding or electrical instructions, consult a qualified electrician or service person.
- Neither the manufacturer nor the dealer can accept any liability for damage to the microwave or personal injury resulting from failure to observe the electrical connection procedures.

The wires in this mains cable are colored in accordance with the following code:

Green and Yellow = EARTH

Blue = NEUTRAL

Brown = LIVE

Microwave cooking principles

- Arrange food carefully. Place thickest areas towards outside of dish.
- Watch cooking time. Cook for the shortest amount of time indicated and add more as needed. Food severely overcooked can smoke or ignite.
- Cover foods while cooking. Covers prevent spattering and help foods to cook evenly.
- Turn foods over once during microwaving to speed cooking of such foods as chicken and hamburgers. Large items like roasts must be turned over at least once.
- Rearrange foods such as meatballs halfway through cooking both from top to bottom and from the center of the dish to the outside.

Before you call for service

If the microwave fails to operate:

- Check to ensure that the microwave is plugged in securely. If it is not, remove the plug from the outlet, wait 10 seconds and plug it in again securely.
- Check for a blown circuit fuse or a tripped main circuit breaker. If these seem to be operating properly, test the outlet with another appliance.
- Check to ensure that the control panel is programmed correctly and the timer is set.
- Check to ensure that the door is securely closed engaging the door safety lock system. Otherwise, the microwave energy will not flow into the microwave.

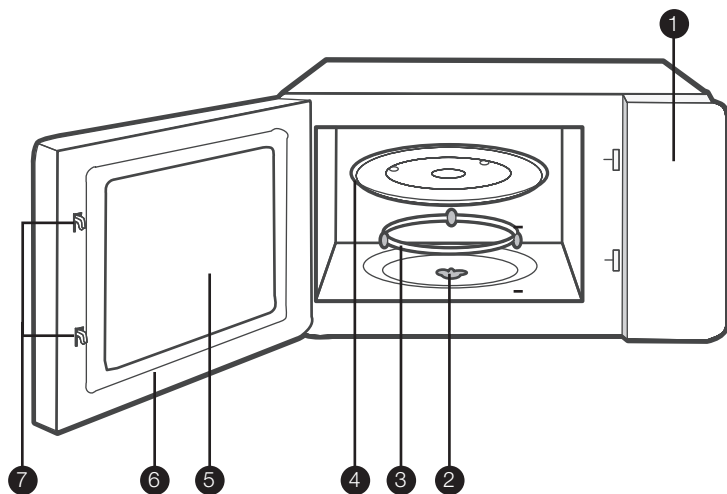
If none of the above rectifies the situation, then contact a qualified technician. Do not try to adjust or repair the microwave yourself.

Utensils guide

- The ideal material for a microwave utensil is transparent to microwave, it allows energy to pass through the container and heat the food.
- Microwave can not penetrate metal, so metal utensils or dishes with metallic trim should not be used.
- Do not use recycled paper products when microwave cooking, as they may contain small metal fragments which may cause sparks and/or fires.
- Round/oval dishes rather than square/oblong ones are recommend, as food in corners tends to overcook.
- Narrow strips of aluminum foil may be used to prevent overcooking of exposed areas. But be careful don't use too much and keep a distance of 1 inch (2.54cm) between foil and cavity.

COOKWARE	MICROWAVE
Heat-resistant glass	Yes
Non heat-resistant glass	No
Heat-resistant ceramics	Yes
Microwave-safe plastic dish	Yes
Kitchen paper	Yes
Metal tray	No
Metal rack	No
Aluminum foil & foil containers	No

PRODUCT DESCRIPTION

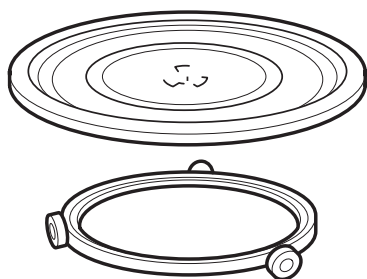


- ① Control panel
- ② Turntable shaft
- ③ Turntable ring
- ④ Glass tray
- ⑤ Observation window
- ⑥ Oven door
- ⑦ Safety interlock system

Accessories

Turntable set

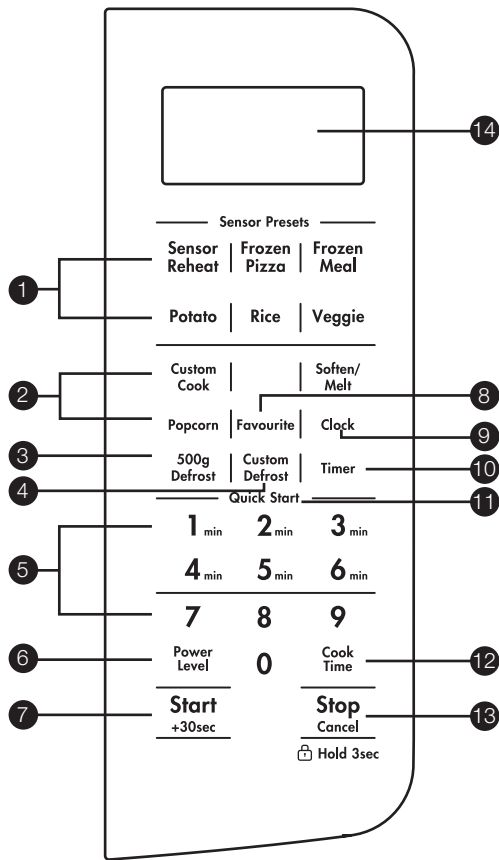
Glass cooking tray and roller guide.



IMPORTANT

Always use the turntable set to prepare food in the appliance.

CONTROL PANEL



- 1 Quick Touch Presets - Sensor Menu (Sensor Reheat, Frozen Pizza, Frozen Meal, Potato, Rice, Veggie)
- 2 Auto Menu (Custom Cook, Soften/Melt), Popcorn
- 3 Automatically defrosts 500g
- 4 Custom Defrost: Defrost time calculated by entered weight and category of item
- 5 Number Pad
- 6 Power Level
- 7 START + 30 SEC
- 8 Favourite
- 9 Clock
- 10 Timer
- 11 ONE TOUCH START Pads (1- 6)
- 12 Cook time
- 13 STOP: Cancel Hold 3 seconds: Before cooking starts, press to clear all previous settings. During cooking, press once to stop oven; press twice to stop oven and clear all settings. Hold for 3 seconds to lock the appliance.
- 14 Display Window

Before first use



WARNING

Refer to the safety chapters.

Initial cleaning

- Remove all parts from the appliance.
- Clean the appliance before first use.



WARNING

Refer to chapter "Care and cleaning".

Setting the time



IMPORTANT

When you connect the appliance to the electrical supply or after a power cut, the display shows 0:00.

Setting the clock

When the microwave oven is plugged into an outlet, "0:00" will display.

1. Press **Clock**, "00:00" and "Clock" will appear in the display. The first figure will flash; ":" and "0" will be lighted.
2. Press the number pads and enter the current clock time. For example, if the time is now 10:12, press "1, 0, 1, 2" in order.
3. Press **Clock** to finish clock setting, ":" will flash and the numbers will appear as a clock time in the display.

NOTE: 1. If the numbers entered are not within the range between 1:00 to 12:59, the setting will not be accepted until valid numbers are entered.

2. In the process of setting clock, if **Stop** is pressed or if there is no operation within 1 minute, the display will automatically return to the previous clock setting.

DAILY USE



WARNING

Refer to the safety chapters.



CAUTION

Do not let the appliance operate when there is no food in it.

General information about using the appliance

- After you deactivate the appliance, let the food stand for some minutes.
- Remove the aluminium foil packaging, metal containers, etc before you prepare the food.

Cooking

- If possible, cook food covered with material suitable for use in the microwave. Only cook food without a cover if you want to keep it crusty.
- Do not overcook the dishes by setting the power and time too high. The food can dry out, burn or catch fire in some places.
- Do not use the appliance to cook eggs or snails in their shells, because they can explode. With fried eggs, pierce the yolks first.
- Prick food with “skin” or “peel”, such as potatoes, tomatoes, sausages, with a fork several times before cooking so that the food does not explode.
- For chilled or frozen food, set a longer cooking time.
- Dishes which contain sauce must be stirred from time to time.
- Vegetables that have a firm structure, such as carrots, peas or cauliflower, must be cooked in water.
- Turn larger pieces after half of the cooking time.
- If possible, cut vegetables into similar sized pieces.
- Use flat, wide dishes.
- Do not use cookware made of porcelain, ceramic or earthenware with small holes, e.g. on handles or unglazed bottoms. Moisture going into the holes can cause the cookware to crack when it is heated.
- The glass cooking tray is a work space for heating food or liquids. It is necessary for the operation of the microwave.

Defrosting meat, poultry, fish

- Put the frozen, unwrapped food on a small upturned plate with a container below it so that the defrosting liquid collects in the container.
- Turn the food after half of the defrosting time. If possible, divide and then remove the pieces that started to defrost.

Defrosting butter or similar

- Do not fully defrost the food in the appliance, but let it defrost at room temperature. This gives a more even result. Fully remove all metal or aluminium packaging before defrosting.

Defrosting fruit, vegetables

- Do not fully defrost fruit and vegetables, which are to be further prepared while raw, in the appliance. Let them defrost at room temperature.
- You can use a higher microwave power to cook fruit and vegetables without defrosting them first.

Ready meals

- You can prepare ready meals in the appliance only if their packaging is suitable for microwave use.
- You must follow the manufacturer's instructions printed on the packaging (e.g. remove the metal cover and pierce the plastic film).

DAILY USE (CONTINUED)

Suitable cookware and materials

COOKWARE / MATERIAL	MICROWAVE		
	DEFROSTING	HEATING	COOKING
Ovenproof glass and porcelain (with no metal components, e.g. Pyrex, heat-proof glass)	●	●	●
Non-ovenproof glass and porcelain ¹⁾	●	--	--
Glass and glass ceramic made of ovenproof / frost-proof material (e.g. Arcoflam), grill shelf	●	●	●
Ceramic ²⁾ , earthenware ²⁾	●	●	●
Heat-resistant plastic up to 200°C ³⁾	●	●	●
Cardboard, paper	●	--	--
Plastic wrap	●	--	--
Roasting film with microwave safe closure ³⁾	●	●	●
Roasting dishes made of metal, e.g. enamel, cast iron	--	--	--
Baking tins, black lacquer or silicon coated ³⁾	--	--	--
Baking tray	--	--	--
Browning cookware, e.g. Crisp pan or Crunch plate	--	●	●
Ready meals in packaging ³⁾	●	●	●

1) With no silver, gold, platinum or metal plating / decorations.

2) Without quartz or metal components, or glazes which contain metals.

3) You must follow the manufacturer's instructions about the maximum temperatures.

● suitable

-- not suitable

Power setting table

LEVEL	10	9	8	7	6	5	4	3	2	1
Power	100%	90%	80%	70%	60%	50%	40%	30%	20%	10%
Display	PL10	PL9	PL8	PL7	PL6	PL5	PL4	PL3	PL2	PL1

One Touch Start

- Instant cooking at 100% power level and 1 to 6 minutes cooking time can be started by pressing number pads 1 to 6. Press **Start** to increase the cooking time by 30 seconds with each press. Maximum cooking time is 99 minutes, 99 seconds.
- Instant cooking at 100% power level and 30 seconds cooking time can be started by pressing **Start**. Each repeated press will increase cooking time by 30 seconds.

The maximum cooking time is 99 minutes, 99 seconds.

- NOTE:**
- Time can also be added in 30 second increments by pressing **Start** during Microwave Cooking.
 - Time cannot be added by pressing **Start** during Weight Defrost and Timer functions.

Microwave cooking

- Press **Cook Time**, "00:00" and "Cook" will appear in the display.
- Press number pads to enter the cooking time, the maximum is 99 minutes and 99 seconds
- Press **Power Level**, the default level of 100% (PL10) will display. Press **Power Level** several times or pads 0 through 9 to select a different power level if desired. Refer Power Setting table above.
- Press **Start** to start cooking

Example: Cook food with 50% microwave power for 15 minutes

- Press **Cook Time**, "00:00" displays
- Press "1,5,0,0" in order for 15:00 to appear in the display.
- Press **Power Level**, then press "5" to select 50% microwave power.
- Press **Start** to start cooking.

NOTE: In the process of setting, if the **Stop** pad is pressed or if there is no operation within 1 minute, the oven will automatically display the clock.

Custom Defrost Function

- Press **Custom Defrost**, "dEF1" and "DEF." will appear in the display.
Press the same pad repeatedly, "dEF2", "dEF3", "dEF1" will display in order.

LED display	dEF1	dEF2	dEF3
Food	Meat	Poultry	Fish

- Press number pads to enter the weight to be defrosted.

Input the weight range between 100 to 2000g.

If the weight input is not between 100 to 2000g, the input will be invalid. The unit will not work until valid numbers are entered.

- Press **Start** to start defrosting and the cooking time remaining will be displayed. "DEF." indicator will flash.

NOTE: When half of the defrosting time passes, the oven will beep twice to remind you to turn over the food. Open the door to pause operation. Turn over food, close door and press **Start** to resume defrost cycle. If you do not open door to pause operation, the oven will continue the defrost cycle without interruption.

500g defrost:

- Press **500g Defrost**, "1.0", "DEF" and "500g" will appear in the display.
- Press **Start** to start defrosting, "500g" will disappear. "DEF" will flash, and the remaining defrost time will display.

DAILY USE (CONTINUED)

Auto menu table

MENU BUTTON	FOOD	DISPLAY	WEIGHT/ PORTION
Custom Cook	Bacon	CC-1	2-6 SLICES
	Frozen roll/ Muffin-reheat	CC-2	1-6 PIECES
	Beverage	CC-3	1-2 CUP
	Chicken Pieces	CC-4	250-1000g
	Oatmeal (with milk)	CC-5	600g / 1200g
Melt	Butter / Margarine	S-1	1-3 STICKS
	Chocolate	S-2	100g / 200g
	Cheese	S-3	200g / 400g
	Marshmallows	S-4	100g / 300g
Soften	Soften-Butter	S-5	1-3 STICKS
	Soften-Ice cream/ Frozen juice	S-6	300g / 400g / 500g
	Soften-Cream cheese	S-7	100g / 200g

Sensor menu table

MENU BUTTON	FOOD	DISPLAY	WEIGHT/ PORTION
Sensor Reheat	Sensor Reheat	SC-1	200-600g
Frozen Pizza	Frozen Pizza	SC-2	200-400g
Frozen Meal	Frozen Meal	SC-3	200-600g
Potato	Potato	SC-4	230g / pcs 1-4 pcs
Rice	Rice	SC-5	200g-500g
Veggie	Fresh/ Frozen Vegetable	SC-6 / SC-7	100g-500g

Sensor Menu

(Sensor Reheat, Frozen Pizza, Frozen Meal, Potato, Rice, Veggie)

The sensor functions automatically adjust the cooking time by detecting moisture in the food.

- Press the pad for one of the Sensor Menu functions. An "SC-" number, "Auto" and "SENS." will appear in the display. Example: If "Rice" is pressed, "SC-5" will display.
- Press **Start** to start the sensor cooking process. Once the item has been sensed the remaining cooking time will display. The oven beeps 5 times when cooking is finished.

NOTE: For best sensor cooking results:

- The room temperature cannot be over 35°C.
- The weight of food must be more than 110g.
- The oven cavity, glass tray and utensils must be dry.

During cooking:

- The food can be covered, but the cover or lid must be vented with a hole to allow steam to escape.
- Wait until the cooking time is displayed and starts to count down. Opening the door or pressing **Stop** before the cooking time is completed will reset the unit and display the clock.
- Once the cooking time displays and starts counting down, you can open the door to mix or turn over food.

Example: Potato Sensor Pad

- Press **Potato** pad once, "SC-4", "Auto" and "SENS." will appear in the display. 2) Press **Start** to cook.

NOTE:

- Puncture the surface of each potato several times with the tines of a fork.
- Place up to 4 potatoes on the glass turntable. Keep at least 1 inch of space between each potato.

Example: Sensor Reheat Pad

- After placing food into oven, press **Sensor Reheat** pad and "SC-1" will display.
- Press **Start** to cook. Oven beeps 5 times when cooking is finished.

NOTE: Food to be avoided in sensor reheating:

- Bread and other dry food, such as biscuits or cake.
- Raw or uncooked food.
- Beverages and frozen food.

The food can be covered, but the cover or lid must be vented with a hole to allow steam to escape.

The food temperature must be at least 40°F (5°C) when placing it into the oven for Sensor Heat to work correctly.

Preparing foods for Sensor Reheat:

Casseroles: Add 2 to 3 tablespoons of liquid, covered with lid or vented plastic wrap. Stir when time appears in the display window.

Canned foods: Empty contents into casserole dish or serving bowl, and cover with vented lid or plastic wrap. After reheating, let food stand for a few minutes.

Plate of food: Arrange food on plate; top with butter, gravy, etc. Cover with vented lid or plastic wrap. After reheating, let food stand for a few minutes.

Example: Veggie Sensor Pad

- Press **Veggie** once, "SC-6" will display, to cook fresh vegetables.
Press **Veggie** 2 times, "SC-7" will display, to cook frozen vegetables.
- Press **Start** to cook. After the cooking time displays, food can be turned over.
Oven beeps 5 times when cooking is finished.

Popcorn

1. Press **Popcorn** repeatedly until the number you wish appears in the display, "50", "85", "100" g will display in order. And "Auto" and "g" will appear in the display.
2. Press **Start** to cook. "g" disappears. "Auto" flashes. Oven beeps 5 times when cooking is finished.

Custom Cook

1. Press **Custom Cook**, "CC-1" and "Auto" will appear in the display.
2. Press **Custom Cook** four more times, "CC-2, CC-3, CC-4, CC-5" will display in order.
3. After selecting CC setting, press a number pad to select the weight or portion of food item as per the auto menu table.
4. Press **Start** to cook, "Auto" flashes in display. Oven beeps 5 times when cooking is finished.

Soften/Melt

1. Press **Soften/Melt**, "S-1" and "Auto" will appear in display
2. Press **Soften/Melt** six more times, "S-2, S-3, S-4, S-5, S-6, S-7" will display in order.
4. After selecting a function, press a number pad to select the weight or portion of food item as per the auto menu table.
5. Press **Start** to cook, "Auto" flashes in display. Oven beeps 5 times when cooking is finished.

Favourite function

1. Press **Favourite** to program and choose up to three cooking procedures. Each procedure will be indicated by 1, 2 or 3 in the display.
2. Press **Favourite** until your desired procedure number appears in the display. Press **Start** to begin it. A maximum of two cooking stages can be set for each procedure.
3. To program a procedure, follow the steps listed below. Example: Cook food at 80% Power Level for 3 minutes and 20 seconds; save as memory 2.
 - a. Press **Favourite** twice; screen displays "2".
 - b. Press **Cook Time** once, then press "3", "2" and "0" in order.
 - c. Press **Power Level** once, then press "8" for "PL 8" to display.
 - d. Press **Favourite** to save the procedure. Oven beeps once. Or press **Start** directly to start cooking.
 - e. To choose the procedure from the memory list, press **Favourite** twice. Screen will display "2". Press **Start** to run procedure.

NOTE: The procedure will remain programmed until the oven is unplugged or there is a power failure. If either occurs, the procedure will have to be reprogrammed into the oven.

Multi-stage cooking

At most 2 stages can be set for cooking. If one stage is Defrost, it will automatically set to be the first stage.

NOTE: Quick Touch Presets cannot be used in multi-stage cooking.

Example: 80% Power Level for 5 minutes followed by 60% Power Level for 10 minutes; saved as memory 3.

1. Press **Favourite** 3 times; screen displays 3.
2. Press **Cook Time** once, then press "5", "0" and "0" to set first stage cook time.
3. Press **Power Level** once, then press "8" to choose 80% first stage cooking power.
4. Press **Cook Time** again, then press "1", "0", "0" and "0" to set second stage cook time. e. Press **Power Level** again, then press "6" to choose 60% second stage cooking power.
5. Press **Start** to immediately start multi-stage cooking.
6. To choose the procedure from the memory list, press **Favourite** three times. The screen will display "3"; press **Start** to run procedure.

*NOTE: If you do not want to save a particular multi-stage program as a procedure, do not press Favourite as the first step. Press **Start** after programming both stages.*

Inquiring function

1. When oven is cooking, press **Clock** for the time of day to appear for three seconds in the display.
2. When oven is cooking, press **Power Level** pad for cooking power to appear for three seconds in the display.

Lock function

To lock the microwave so that it cannot be operated by children or other unintended users, press **Stop** pad for 3 seconds. You will hear a long beep. If the clock has been set, the time of day and "Lock" will appear in the display. Otherwise, only "Lock" will appear.

To Unlock, press **Stop** for 3 seconds, you will hear a long beep and "Lock" will disappear.

Cooking end reminder function

The oven will beep five times to alert the user that cooking time has ended. "End" will display.

The time of day will display by opening the door or pressing **Stop** pad.

Other specifications

1. When setting cooking function, the function abbreviation appears in the display.
2. When oven is cooking or paused (door opened) in the midst of cooking time, the remaining cooking time appears in the display.

USING THE ACCESSORIES



WARNING

Refer to the safety chapters.



CAUTION

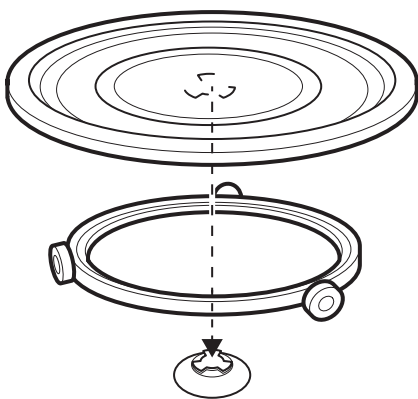
Do not cook food without the turntable set. Use only the turntable set provided with the appliance.



IMPORTANT

Never cook food directly on the glass cooking tray.

Inserting the turntable set



1. Place the roller guide around the turntable shaft.
2. Before first use remove the tape from the centre of the turntable shaft.
3. Place the glass cooking tray on the roller guide.

ADDITIONAL FUNCTIONS

Timer

1. Press **Timer**, "00:00" and "Timer" will appear in the display.
2. Press the number pads to enter the time amount. The maximum amount of time that can be entered is 99 minutes, 99 seconds.
3. Press **Start** to confirm setting, timer indicator will flash, timer counts down.
4. When the time amount elapses, the oven will beep 5 times. "End" will display. The time of day will display by opening the door or pressing **Stop** pad.

NOTE:

- *The Timer setting is different from the Clock setting; it is simply a timer.*
- *During the Timer function, no cooking function can be set into operation.*
- *Timer amount cannot be increased by pressing **Start**.*
- *Pressing **Stop** will cancel the Timer countdown.*

HELPFUL HINTS AND TIPS

Power setting table

PROBLEM	REMEDY
You cannot find details for the amount of food prepared.	Look for a similar food. Increase or shorten the length of the cooking times according to the following rule: Double the amount = almost double the time Half the amount = half the time
The food got too dry.	Set shorter cooking time or select lower microwave power.
The food is not defrosted, hot or cooked after the time came to an end.	Set longer cooking time or set higher power. Note that large dishes need longer time.
After the cooking time comes to an end, the food is overheated at the edge but is still not ready in the middle.	Next time set a lower power and a longer time. Stir liquids halfway through, e.g. soup.

To get better results for rice use a flat, wide dish.

Defrosting

Always defrost roast with the fat side down. Do not defrost covered meat because this may cause cooking instead of defrosting. Always defrost whole poultry breast side down.

Cooking

Always remove chilled meat and poultry from the refrigerator at least 30 minutes before cooking. Let the meat, poultry, fish and vegetables stay covered after cooking.

Brush a little oil or melted butter over the fish. Add 30-45ml of cold water for every 250g of vegetables. Cut the fresh vegetables into even size pieces before cooking. Cook all vegetables with a cover on the container.

Reheating

When you reheat packed ready meals always follow the instructions written on the packaging.

CARE AND CLEANING



WARNING

Refer to the safety chapters.

Notes on cleaning:

- To clean front panel fingerprint-resistant stainless steel simply wipe with a soft cloth using warm water and a mild detergent. DO NOT use stainless steel cleaners, abrasive cleaners or harsh solvents.
- Clean the appliance interior after each use. Then you can remove dirt more easily and it does not burn on.
- Clean stubborn dirt with a special cleaner.
- Clean all accessories regularly and let them dry. Use a soft cloth with warm water and a cleaning agent.
- To soften hard to remove remains, boil a glass of water at full microwave power for 2 to 3 minutes.
- To remove odours, mix a glass of water with 2 tsp of lemon juice and boil at full microwave power for 5 minutes.

TROUBLESHOOTING



WARNING

Refer to the safety chapters.

PROBLEM	POSSIBLE CAUSE	REMEDY
Oven will not start	Electrical cord for oven is not plugged in.	Plug into the outlet.
	Door is open.	Close the door and try again.
	Wrong operation is set.	Check instructions.
Arcing or sparking	Materials to be avoided in microwave oven were used.	Use microwave-safe cookware only.
	The oven is operated when empty.	Do not operate with oven empty.
	Spilled food remains in the cavity.	Clean cavity with wet towel.
Unevenly cooked foods	Materials to be avoided in microwave oven were used.	Use microwave-safe cookware only.
	Food is not defrosted completely.	Completely defrost food.
	Cooking time, power level is not suitable.	Use correct cooking time, power level.
	Food is not turned or stirred.	Turn or stir food.
Overcooked foods	Cooking time, power level is not suitable.	Use correct cooking time, power level.
Undercooked foods	Materials to be avoided in microwave oven were used.	Use microwave-safe cookware only.
	Food is not defrosted completely.	Completely defrost food.
	Oven ventilation ports are restricted.	Check to see that oven ventilation ports are not restricted.
	Cooking time, power level is not suitable.	Use correct cooking time, power level.
Improper defrosting	Materials to be avoided in microwave oven were used.	Use microwave-safe cookware only.
	Cooking time, power level is not suitable.	Use correct cooking time, power level.
	Food is not turned or stirred.	Turn or stir food.
Sensor cooked foods not properly cooked	Cover or lid on food not vented.	Cover or lid over food must contain vent hole for escaping steam.
	Door opened before sensor-detected cooking time appears in display.	Do not open door to stir or turn food before sensor-detected cooking time appears in display.

If you cannot find a solution to the problem yourself, contact your dealer or the customer service centre.

The necessary data for the customer service centre is on the rating plate on the appliance.

We recommend that you write the details of your product here:

Model (M)

Product number (PNC).....

Serial number (S.N.).....

INSTALLATION



CAUTION

Do not block the air vents. If you do that, the appliance can overheat.



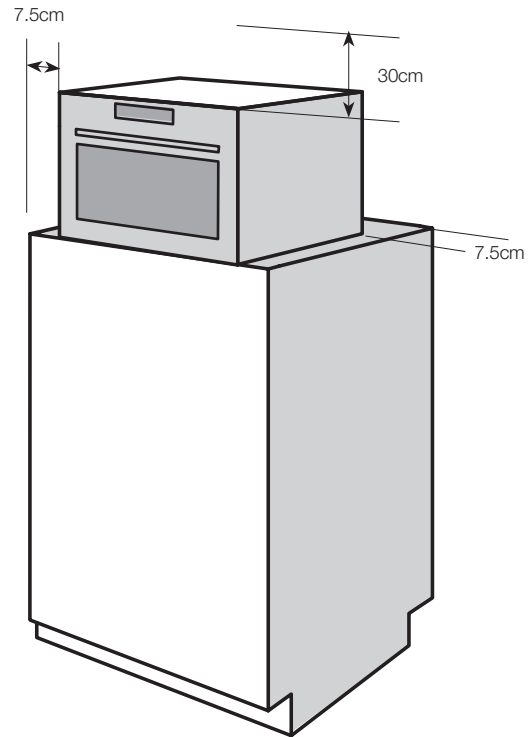
CAUTION

Do not connect the appliance to adapters or extension leads. This can cause overloading and risk of fire.

- Put the appliance far away from steam, hot air and water splashes.
- If the appliance is stored/ transported at sub-zero temperatures, do not activate it immediately after installation. Allow at least two hours for it to be brought up to room temperature before turning on the unit.

Installation

- Remove all packing material and any promotional material from the microwave oven.
- Examine the oven for any damage such as dents or a broken door. Do not install if the oven is damaged. Call the service centre.
- Remove the protective film on the oven cabinet surface. Do not remove the light brown Mica cover that is attached to the right-hand side of the oven cavity to protect the magnetron.
- Do not leave the packing material so that small children can play with it. This can be hazardous.
- Select a flat, level surface that provides enough open space for the intake and outlet vents and that is strong enough to bear the weight of the oven. A minimum clearance of 7.5cm is required between the oven and any adjacent walls. Leave a minimum clearance 30cm above the oven.



Blocking the intake or outlet vents can damage the oven. If air vents are blocked during operation, the oven may overheat, and this may lead to malfunctioning. Hot air escapes from the vents, so be sure not to obstruct it or let curtains come between the oven and the rear wall.

NOTE: It is recommended to have greater than 7.5cm clearance on at least one of the sides to improve product performance and operation.

- The oven should be placed in a stable position to avoid the possibility of causing vibration or noise.
- Do not remove the legs from the bottom of the oven.
- This oven should only be installed freestanding; not built-in or in a cabinet.
- Keep the oven away from heat and water. Exposure to heat and water can lower the efficiency and lead to malfunctioning.
- Place the oven as far away from radios and TV as possible. Operation of the oven may cause interference to your radio or TV reception.
- When there is interference, it may be reduced or eliminated by taking the following measures:
 - Clean door and sealing surface of the microwave oven.
 - Reorient the receiving antenna of the radio and/or television.
 - Move the microwave oven away from the receiver.
 - Plug the microwave oven into a different outlet so that microwave oven and receiver are on different branch circuits.

INSTALLATION (CONTINUED)

Electrical installation



WARNING

Only a qualified person must do the electrical installation.



IMPORTANT

The manufacturer is not responsible if you do not follow the safety precautions from the chapter "Safety Instructions".

This appliance is supplied with a main cable and main plug.



WARNING

The microwave oven is fitted with a plug and must be only connected to a properly installed, earthed socket. In accordance with the appropriate regulations, the socket must only be installed and the connecting cable must only be replaced by a qualified electrician. If the plug is no longer accessible following installation an all-pole isolating switch must be present on the installation side with a contact gap of at least 3mm.



FOR SALES IN AUSTRALIA AND NEW ZEALAND
APPLIANCE: WESTINGHOUSE MICROWAVE

This document sets out the terms and conditions of the product warranties for Electrolux Appliances. It is an important document. Please keep it with your proof of purchase documents in a safe place for future reference should you require service for your Appliance.

1. In this warranty:
 - (a) 'acceptable quality' as referred to in clause 10 of this warranty has the same meaning referred to in the ACL;
 - (b) 'ACL' means Schedule 2 to the Competition and Consumer Act 2010;
 - (c) 'Appliance' means any Electrolux product purchased by you accompanied by this document;
 - (d) 'ASC' means Electrolux authorised service centres;
 - (e) 'Electrolux' means Electrolux Home Products Pty Ltd of 163 O'Riordan Street, Mascot NSW 2020, ABN 51 004 762 341 in respect of Appliances purchased in Australia and Electrolux (NZ) Limited (collectively "Electrolux") of 3-5 Niall Burgess Road, Mount Wellington, in respect of Appliances purchased in New Zealand;
 - (f) 'major failure' as referred to in clause 10 of this warranty has the same meaning referred to in the ACL and includes a situation when an Appliance cannot be repaired or it is uneconomic for Electrolux, at its discretion, to repair an Appliance during the Warranty Period;
 - (g) 'Warranty Period' means the Appliance is warranted against manufacturing defects in Australia for 12 months and in New Zealand for 12 months, following the date of original purchase of the Appliance;
 - (h) 'you' means the purchaser of the Appliance not having purchased the Appliance for re-sale, and 'your' has a corresponding meaning.
2. This warranty only applies to Appliances purchased and used in Australia or New Zealand and used in normal domestic applications and is in addition to (and does not exclude, restrict, or modify in any way) any non-excludable statutory warranties in Australia or New Zealand.
3. During the Warranty Period Electrolux or its ASC will not service the Appliance. If the Appliance is defective, you should return the Appliance to the place of purchase for a replacement. You agree that any replaced Appliances or parts become the property of Electrolux. This warranty does not apply to light globes, batteries, filters or similar perishable parts.
4. Parts and Appliances not supplied by Electrolux are not covered by this warranty.
5. To the extent permitted by law, you will bear the cost of transportation, travel and delivery of the Appliance. If you reside outside of the service area, you will bear the cost of:
 - (a) travel of an authorised representative;
 - (b) transportation and delivery of the Appliance to and from the place of purchase,

In all instances, unless the Appliance is transported by Electrolux or an Electrolux authorised representative, the Appliance is transported at the owner's cost and risk while in transit to and from Electrolux or its ASC.
6. Proof of purchase is required before you can make a claim under this warranty.
7. You may not make a claim under this warranty unless the defect claimed is due to faulty or defective parts or workmanship. Electrolux is not liable in the following situations (which are not exhaustive):
 - (a) the Appliance is damaged by:
 - (i) accident
 - (ii) misuse or abuse, including failure to properly maintain or service
 - (iii) normal wear and tear
 - (iv) power surges, electrical storm damage or incorrect power supply
 - (v) incomplete or improper installation
 - (vi) incorrect, improper or inappropriate operation
 - (vii) insect or vermin infestation
 - (viii) failure to comply with any additional instructions supplied with the Appliance;
 - (b) the Appliance is modified without authority from Electrolux in writing;
 - (c) the Appliance's serial number or warranty seal has been removed or defaced;
 - (d) the Appliance was serviced or repaired by anyone other than Electrolux, an authorised repairer or ASC.
8. This warranty, the contract to which it relates and the relationship between you and Electrolux are governed by the law applicable where the Appliance was purchased. Where the Appliance was purchased in New Zealand for commercial purposes the Consumer Guarantee Act does not apply.
9. To the extent permitted by law and subject to your non-excludable statutory rights and warranties, Electrolux excludes all warranties and liabilities (other than as contained in this document) including liability for any loss or damage whether direct or indirect arising from your purchase, use or non use of the Appliance.
10. For Appliances and services provided by Electrolux in Australia, the Appliances come with a guarantee by Electrolux that cannot be excluded under the ACL. You are entitled to a replacement or refund for a major failure and for compensation for any other reasonably foreseeable loss or damage. You are also entitled to have the Appliance repaired or replaced if the Appliance fails to be of acceptable quality and the failure does not amount to a major failure. The benefits to you given by this warranty are in addition to your other rights and remedies under a law in relation to the Appliances or services to which the warranty relates.
11. At all times during the Warranty Period, Electrolux shall, at its discretion, determine whether repair, replacement or refund will apply if an Appliance has a valid warranty claim applicable to it.
12. For Appliances and services provided by Electrolux in New Zealand, the Appliances come with a guarantee by Electrolux pursuant to the provisions of the Consumer Guarantees Act, the Sale of Goods Act and the Fair Trading Act.
13. To enquire about claiming under this warranty, please follow these steps:
 - (a) carefully check the operating instructions, user manual and the terms of this warranty;
 - (b) have the model and serial number of the Appliance available;
 - (c) have the proof of purchase (e.g. an invoice) available;
 - (d) telephone the numbers shown below.
14. You accept that if you make a warranty claim, Electrolux and its ASC may exchange information in relation to you to enable Electrolux to meet its obligations under this warranty.

Important Notice

Before calling for service, please ensure that the steps listed in clause 13 above have been followed.

FOR SERVICE or to find the address of your nearest state service centre in Australia PLEASE CALL 13 13 49 <small>For the cost of a local call (Australia only)</small>	SERVICE AUSTRALIA ELECTROLUX HOME PRODUCTS electrolux.com.au	FOR SPARE PARTS or to find the address of your nearest state spare parts centre in Australia PLEASE CALL 13 13 50 <small>For the cost of a local call (Australia only)</small>
FOR SERVICE or to find the address of your nearest authorised service centre in New Zealand FREE CALL 0800 10 66 10 <small>(New Zealand only)</small>	SERVICE NEW ZEALAND ELECTROLUX (NZ) Limited electrolux.co.nz	FOR SPARE PARTS or to find the address of your nearest state spare parts centre in New Zealand FREE CALL 0800 10 66 20 <small>(New Zealand only)</small>

For more information on all Westinghouse appliances, or for dimension and installation information, call into your retailer, phone or email our customer care team or visit our website:

AUSTRALIA


phone: 1300 363 640
fax: 1800 350 067
email: customercare@electrolux.com.au
web: westinghouse.com.au

NEW ZEALAND

phone: 0800 436 245
fax: 0800 225 088
email: customercare@electrolux.co.nz
web: westinghouse.co.nz

TOP SERVICE

Top Service encompasses the after sales service provided by The Electrolux Group to consumers including delivery, home service and spare parts.

 and WESTINGHOUSE are trademarks of Westinghouse Electric Corporation. Used under license by Electrolux Home Products Pty Ltd. All Rights Reserved.